



REFERENCE RESEARCH

Indoor Ledwall Display

made in **SANSI**™



True, realistic and brilliant colors.

SANSI, the most advanced Led Technology Hardware available.

PRODUCTS FEATURES

- ❑ Wide Viewing Angles
- ❑ Dynamic Scanning
- ❑ No flickering
- ❑ Modular Design for easy installation on maintenance
- ❑ Highly Compatible Operating Software

MAIN APPLICATIONS

- ❑ Sport Stadiums
- ❑ Exhibition Centers
- ❑ Banking
- ❑ Media Center, TV Broadcasting Studios
- ❑ Advertisement on Buildings
- ❑ Mass Transit Stations, Piers, Airports
- ❑ Hotel, Business Venues

CARATTERISTICHE

- ❑ Ampio angolo di visibilità
- ❑ Scanning Dinamico
- ❑ Flickering assente
- ❑ Moduli disegnati per una facile installazione e manutenzione
- ❑ Software operativo altamente compatibile

APPLICAZIONI PRINCIPALI

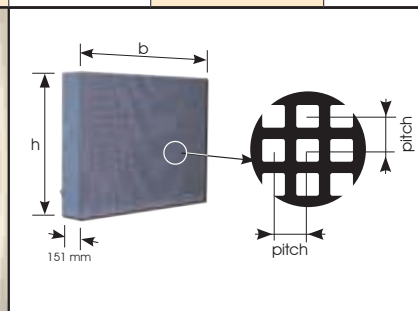
- ❑ Stadi sportivi
- ❑ Aree Espositive, Centri Fiera
- ❑ Banche
- ❑ Studi produzione Video, Studi Televisivi
- ❑ Pubblicità su edifici
- ❑ Stazioni, Metropolitane, Aereoporti
- ❑ Hotel, Sale Conferenze



HFF DISPLAY - HIGH FILL FACTOR TECHNOLOGY

Pitch mm	Display matrix (h x b) pixel	Dimensions (h x b) mm	Panel diagonal mm	Square meters m ²	Resolving rate pixel/m ²	Brightness nits	Average power* W	Weight Kg
4	96 x 128	384 x 512	640	0,20	62.500	1.500	250	10
6,35	96 x 128	610 x 813	1.016	0,50	24.800	1.500	500	20
7,62	96 x 128	732 x 976	1.220	0,71	17.222	1.500	500	25
10	48 x 64	480 x 640	800	0,31	10.000	1.500	250	15

- Viewing angle horizontal and vertical 179° x 179°
- Video frame rate 60 frames per second
- Refresh rate >300 Hz
- Colours 4,4 trillions
- Video processing 12 bit
- Colour processing 16 bit
- Operating temperature 0 to 40 C°
- Lifetime 60.000 h
- Pixel configuration 1R1G1B

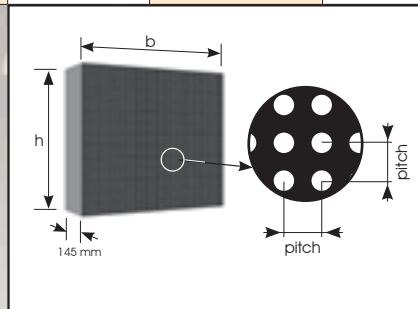


* typical power consumption (50% of maximum)

SMT DISPLAY - SURFACE MOUNT TECHNOLOGY

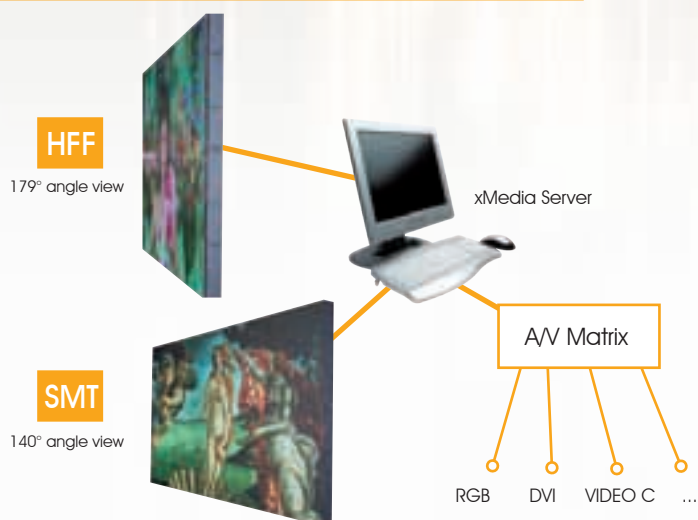
Pitch mm	Display matrix (h x b) pixel	Dimensions (h x b) mm	Panel diagonal mm	Square meters m ²	Resolving rate pixel/m ²	Brightness nits	Average power* W	Weight Kg
6	96 x 128	576 x 768	960	0,44	27.778	1.500	600	15
8	64 x 64	512 x 512	724	0,26	15.625	1.500	250	10
10	48 x 64	480 x 640	800	0,31	10.000	1.500	250	10
12	48 x 64	576 x 768	960	0,44	6.945	1.500	250	15

- Viewing angle horizontal and vertical 140° x 140°
- Video frame rate 60 frames per second
- Refresh rate >300 Hz
- Colours 4,4 trillions
- Video processing 12 bit
- Colour processing 16 bit
- Operating temperature 0 to 40 C°
- Lifetime 60.000 h
- Pixel configuration RGB 3-in-1



* typical power consumption (50% of maximum)

SYSTEM INTERCONNECT DIAGRAM



EXCLUSIVE DISTRIBUTOR

REFERENCE RESEARCH EUROPE srl.
 via Zanardelli 38, 25086 Rezzato (BS) - ITALY
 Phone: +39 030 279 41 36 - Fax: +39 030 249 14 90
 europe@refresearch.net - www.refresearch.net